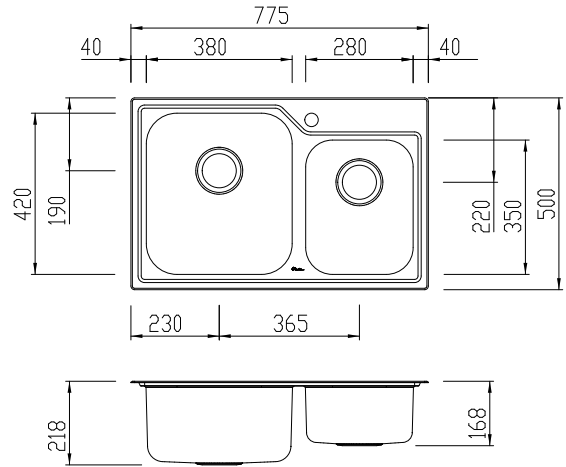


NP615

Nu-Petite

Oliveri®

LEFT HAND BOWL SINK



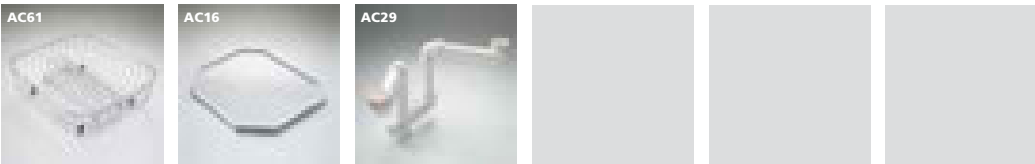
INCLUDED ACCESSORIES



RECOMMENDED TAPWARE



OPTIONAL ACCESSORIES



SPECIFICATIONS

Description

1 & 3/4 bowl inset sink

Sink Size

775W x 500H

Main Bowl

380W x 420H x 200D / 30L

3/4 Bowl

280W x 350H x 130D / 11L

Construction

2 piece, bowls & drainer seam welded

Material

304 grade, 18/10 polished stainless steel (0.8mm thick)

Installation

Inset recommended.

Fixings

Adjustable clips and sealing foam supplied

Cut Out Template

755 x 480 x 15mm radius

Min Cabinet Size

800mm

Tap holes

Available 0 to 3 tap hole (specify when ordering)

Waste fittings

2 x 90mm basket wastes included

Overflow

Not available

Carton Size

878 x 575 x 226

Weight

8.0kg

Warranty

Lifetime manufacturer's warranty (refer to oliverisinks.com)

For more information call **1300 13 7465** or visit **www.oliverisinks.com**

