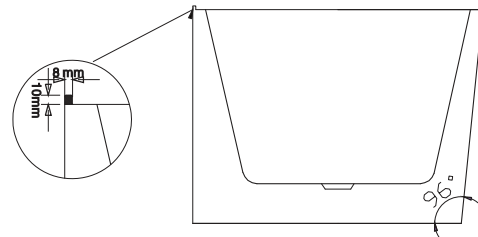
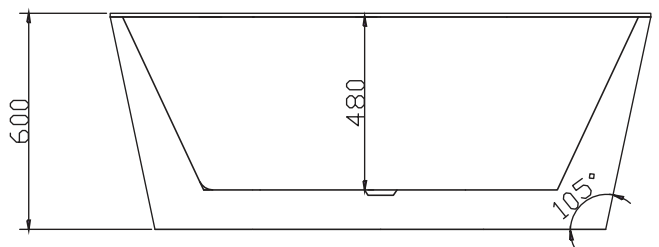
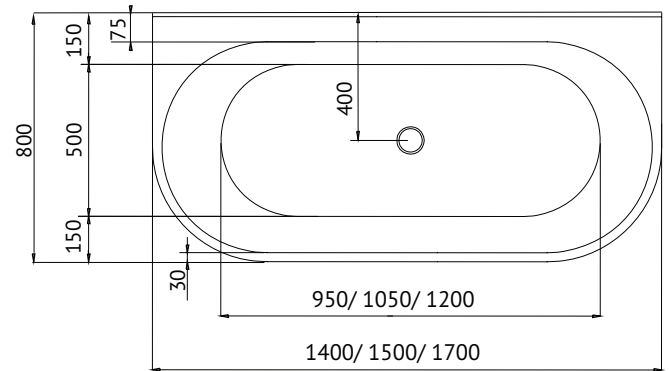


ALEGRA

Freestanding Bath



ALEGRA BACK-TO-WALL FREESTANDING BATH

The Alegra back-to-wall freestanding bath with beautiful curved edges, features a tile bead so as well as being a flexible freestanding bath it can be fitted into a tiled wall.

SIZE (l)x(w)x(h)

- AG1400W ~ 1400 x 800 x 600 (mm)
- AG1500W ~ 1500 x 800 x 600 (mm)
- AG1700W ~ 1700 x 800 x 600 (mm)

CAPACITY* & NET WEIGHT

- 1400 ~ 135 litres 55.0 kg
- 1500 ~ 162 litres 60.0 kg
- 1700 ~ 175 litres 65.0 kg

*200mm below bath rim

KEY FEATURES

- Oval back-to-wall freestanding bath design
- Tile bead (H10 x W8 mm)
- Can be checked into the wall or sit against the wall
- Manufactured from premium sanitary grade acrylic
- Made to AS/NZ safety standard: 2023/1995
- High gloss white
- Centre waste position
- Plug and waste not included

ACCESSORIES

- Sienna Headrests

WARRANTY:

- Ten year warranty -
Conditions apply please see website for details